

User Manual MOTORIZED DOOR

ML01

CONTENTS

BEFORE YOU START	2
1.TURNSTILE SAFETY INSTRUCTIONS.....	3
2.TURNSTILE USAGE INSTRUCTIONS.....	3
3. TECHNICAL SPECIFICATIONS	4
4. TURNSTILE MOUNTING INSTRUCTIONS.....	5
5.TURNSTILE MAINTENANCE INSTRUCTIONS	6

Before You Start

Thank you for purchasing Motorized Door ML-01 by Gruppo Ambita. Please, carefully read the instructions contained in this manual for a long and smooth operation of the turnstile and keep the manual for future references.

TURNSTILE SAFETY INSTRUCTIONS



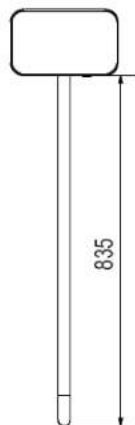
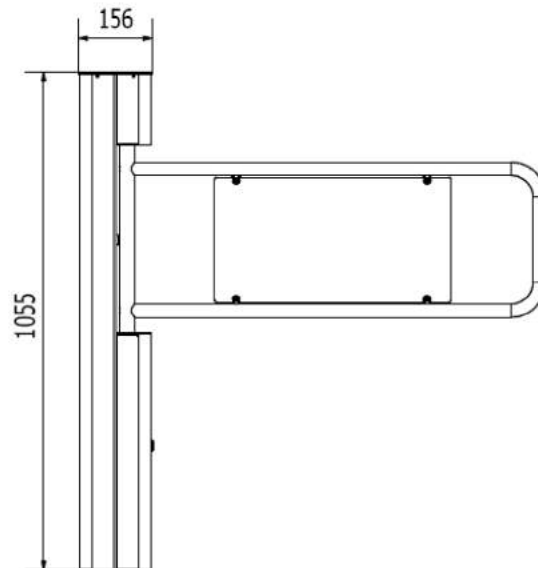
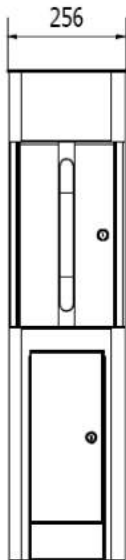
- It is recommended to read all safety and maintenance instructions before installing and using the turnstile.
- Read the manual, before operating the turnstile.
- Do not open the turnstile, due to safety precautions. Any repairment must be done only by authorized services. Modifications made by user may result in danger for the turnstile and people.
- Do not operate damaged turnstiles and call an authorized service immediately.
- Comply with the power and voltage values specified in the technical specifications of turnstile.
- Comply with the operating temperature range specified in the technical specifications of turnstile.
- Check the power supply and control the card connections before re-energizing the turnstile afterwards any maintenance or damage.
- Use certificated spare parts and accessories approved and allowed by the producer.
- In any problem, cut off the electrical connections of the turnstile and call an authorized service.
- During the cleaning and maintenance, cut off the electrical connections. Otherwise damage to the parts may result.
- Use wet rag for cleaning.
- Keep the turnstile away from over heated or fire environment. Over heat may result in a damage to the turnstile.
- Do not use the turnstile in high magnetic areas.
- Do not expose the turnstile to excessive water in order to prevent any penetration.
- Provide your turnstile with electrical grounding connection.

TURNSTILE USAGE INSTRUCTIONS

- The turnstile is designed so as to allow one person to pass each time and more than one person mustn't try to pass at the same time.
- In case of not functioning properly, avoid actions that may result in damage to the turnstile.
- In case of any malfunctioning, in order to avoid further damage to the system, should the system be taken in idle state or mustn't be used.
- Substances harmful to turnstile mustn't be used for cleaning.

The manufacturer will not accept any responsibility for any inquiry or damage resulting from non-compliance with the security and safety instructions indicated above.

3. ML-01 TECHNICAL SPECIFICATIONS



Power Consumption : 220V 50Hz / 30 W
Operating Voltage : 24 V DC +- %20

Body Features : Waterproof body with 1,5mm 304 grade stainless steel

Control System : It can be controlled by dry contact or any advised voltage. It is possible to use with all kinds of access control units. It can be controlled by the function of RS232 and RS485. (optional)

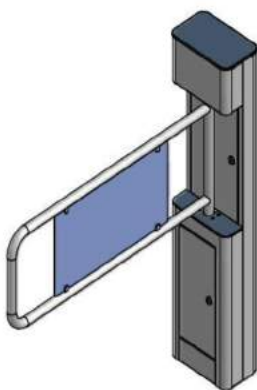
Locking : It is locked with 24DC solenoids, locks when the solenoids are pulled. In emergency, the system is shut down and turnstiles provide free passing in both directions.

Passageway Control : Bi-directional entry/exit independent control.

Operating Temperature: - 20 °C - +70 °C

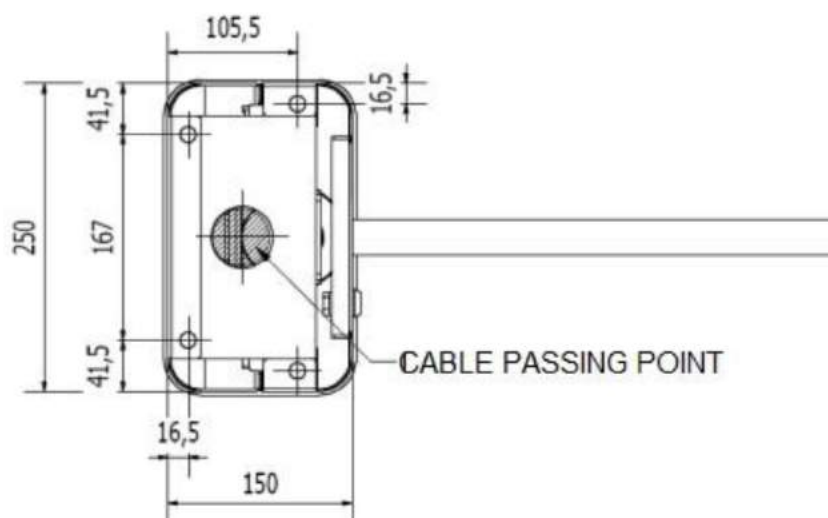
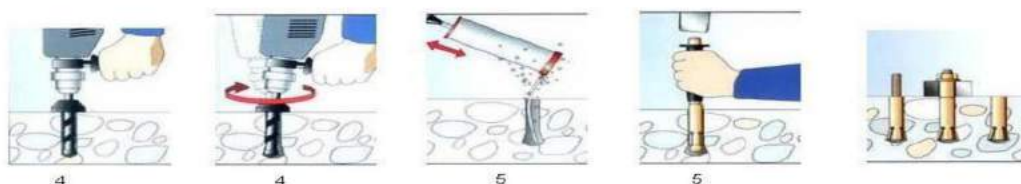
Dimensions: 256x156x1055mm.

Weight : 40 kg



4. ML-01 MOUNTING INSTRUCTIONS

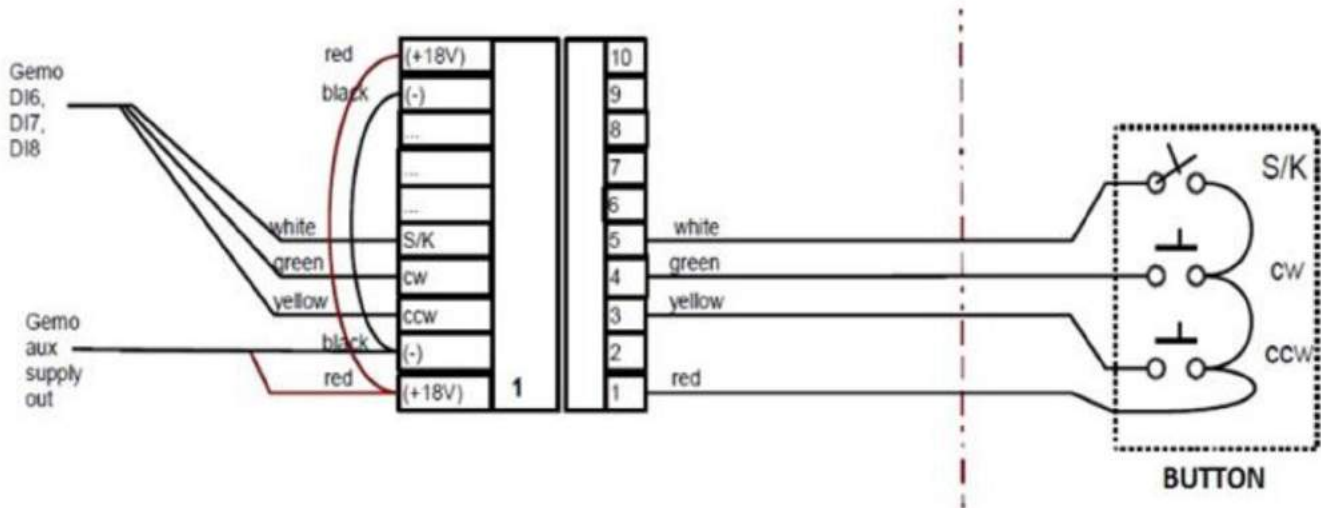
1. Select a proper location so as not to obstruct turnstile's operation.
2. Check the structure of the ground of installation site to ensure the necessary stability requirements.
3. Mark the hole places on the ground in which the hidden gate will be mounted.
4. Drill the marked mounting holes by $\varnothing 10$ drill bit and clean the dust inside the hole by the help of the air. (FIGURE 4)
5. Fix the steel anchors to the drilled holes. If the ground is not strong, fix the steel anchors after using chemical soil mixture. (Wait 20 minutes for hardening of chemical soil mixture). (FIGURE 5)
6. Pass the power and data cables which are prepared before through the hole on mounting plate.
7. Turnstile is placed on steel anchor and fixed to ground by fixing washers to nuts.
8. Please see below pictures.



MATERIAL LIST

A	B	C	D
M12. STEEL ANCHOR	M12SHIM	M10NUT	M10SHIM
4PCS	4PCS	4PCS	4PCS

CCW, CW & S/K button connecting



ON THE BUTTON :

CW Button: This is to move the gate clockwise. If the gate is closed, it will open to clockwise. If the gate is already opened in counter clockwise, it will close.

NOTE 1 : After the gate is opened, if not closed in 5 seconds, it will close automatically after 5 seconds.

NOTE 2 : If the other button is pressed while the gate is moving, it will start to move the other direction of its movement.

Making the gate wait in open position: If you press the same button while gate is opening, (or when it is opened) the gate will stay open. You should press the other button to close it.

S/K (Free Controlled Button) : While this button is pressed, the gate will be unlocked. In this mode, the gate can be pushed by hand. IF this button is not pressed, the gate is locked (controlled) again.

N.B.

Remember to use an extra power supply for a reader that works with 12 Volt !!

5. ML-PASS MAINTENANCE INSTRUCTIONS

1. The clothing of the turnstile must be cleaned with wet rag.
2. The connection screws of turnstile should be visually checked every 6 months.
3. Turnstile arm connection must be visually checked.

NOTE: Turnstile must have maintenance service by authorized service or distributors periodically. In case it is not able to contact with an authorized service or dealer, get into contact with producer firm and obtain information on periodical maintenance.

<i>ML-01</i>		<i>Time</i>	<i>Operation</i>
General	Turnstile arm torque bolt	12 months	Control
	Ground fixing bolts	12 months	Control
Turnstile Mechanism	Gears to transfer motion	12 months	Control + Greasing
	The main shaft nut	12 months	Control
	Brake anchorage bolts	12 months	Control
	Microswitches	36 months	Control
	Main mechanism	12 months	Control + Greasing
Electronic Card	Electrical Connections	12 months	Control
	Motor mounting cables	12 months	Control
	PLC	12 months	Control



Gruppo Ambita Società Cooperativa
Via Antonio Izzi De Falenta, 7/C
88100 - Catanzaro (CZ) - ITALIA

Tel.: (+39) 0961 33799

