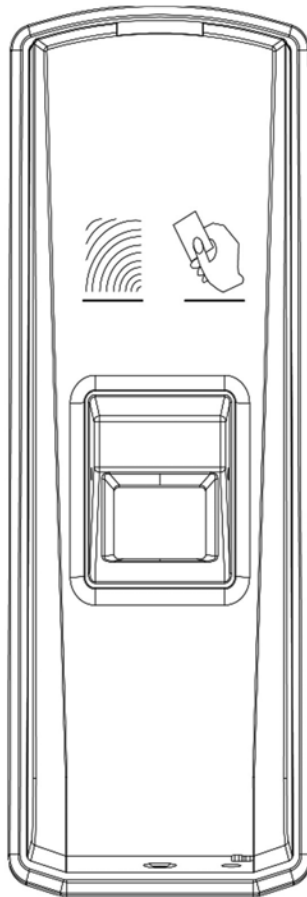




Gruppoambita

**RFID Card Reader
with Fingerprint Sensor**

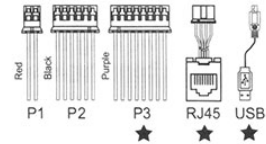
GBM



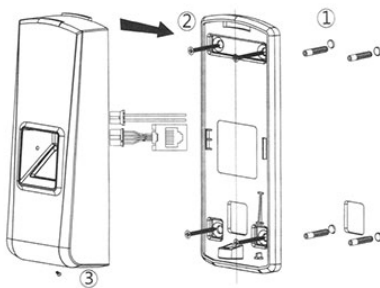
User Manual

Package list

- 1 Reader 2 Instruction Package 3 Accessory Package 4 Connector Jack



Installation Diagram



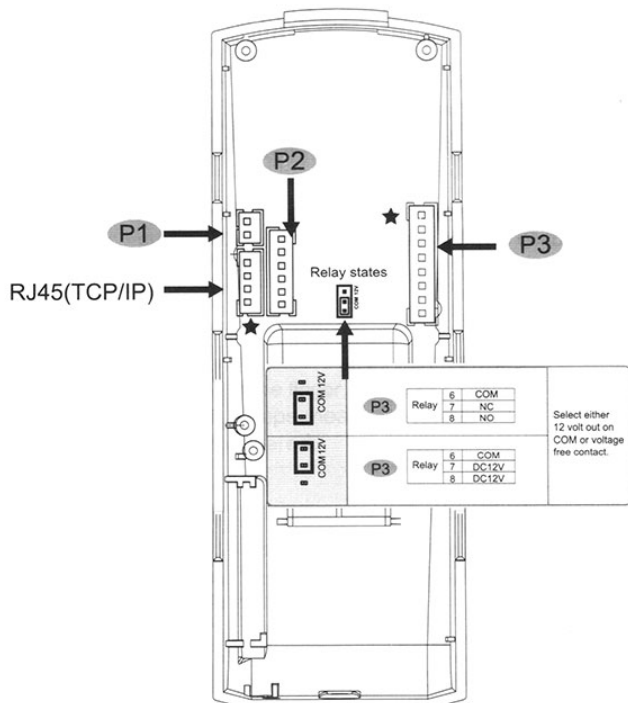
Installation Steps:

- 1 Drill holes in the wall follow the hole position on back panel
- 2 Install and fix back panel, connect related cables
- 3 Fix access control reader

Wiring Instruction



The interface marked with ★ for specific models, Please according to the practical device to wiring.



P1

Function	PIN	Cable Color	Description
Power	1	Red	DC12V
	2	Black	GND

P2

Function	PIN	Cable Color	Description
Wiegand Output	1	Green	Wiegand DATA0 Output
	2	White	Wiegand DATA1 Output
	3	Black	GND
RS485	4	Yellow	RS485A
	5	Purple	RS485B
	6	Black	GND

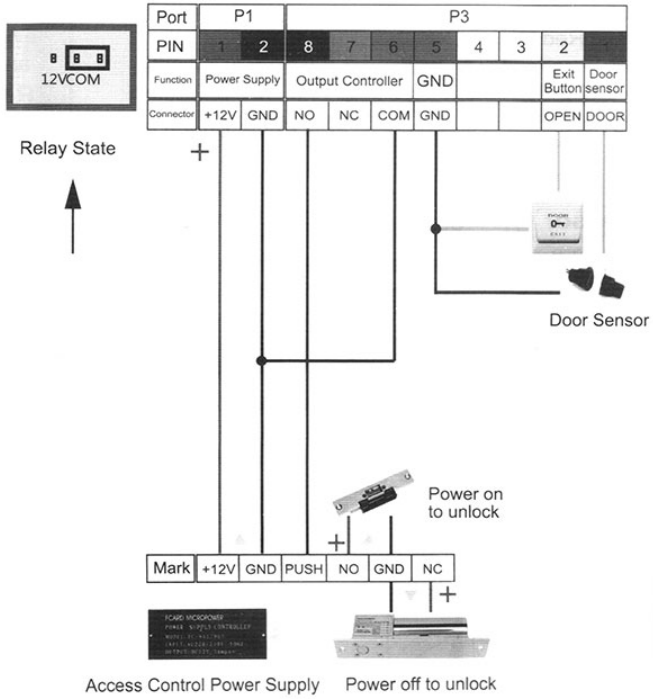
P3

Function	PIN	Cable Color	Description
Door Sensor	1	Purple	Trigger Input
Exit Button	2	Yellow	Trigger Input
	3	White	
	4	White	
GND	5	Black	GND
Relay	6	Green	COM
	7	Orange	NC
	8	Blue	NO

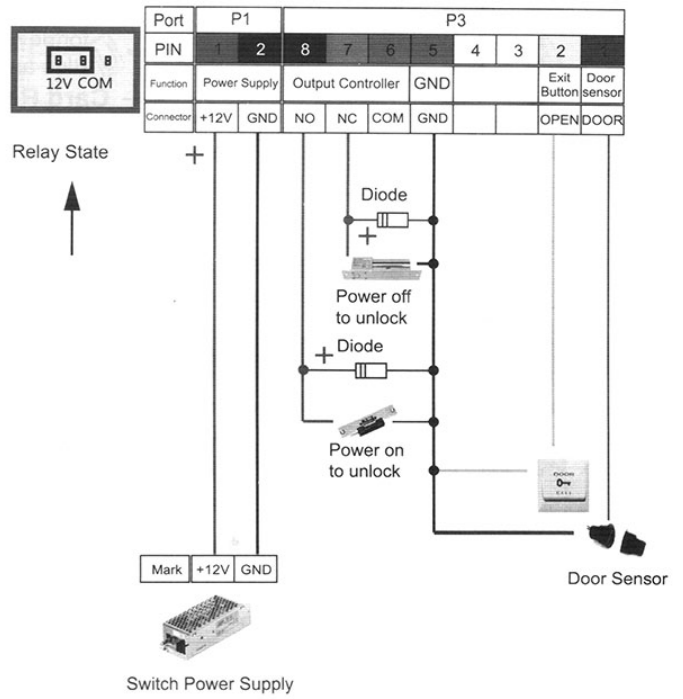


Important notice: Please carefully follow this wiring diagram, If the reader gets damaged by incorrect wiring then your warranty will be void.

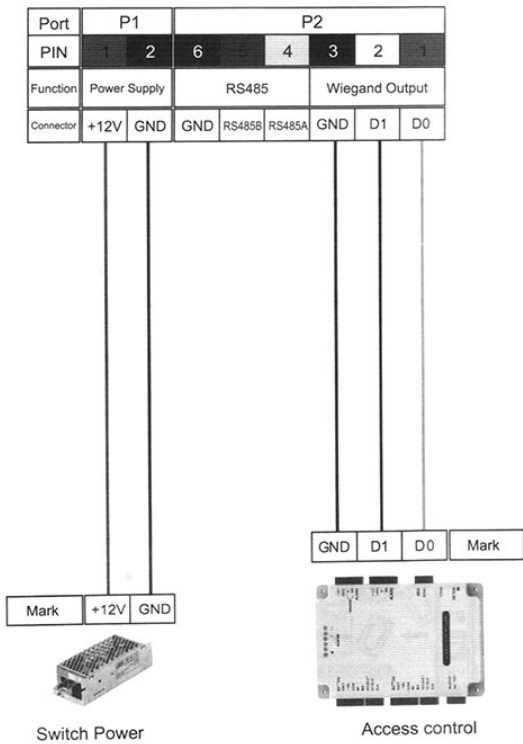
Access Control Reader & Power Supply



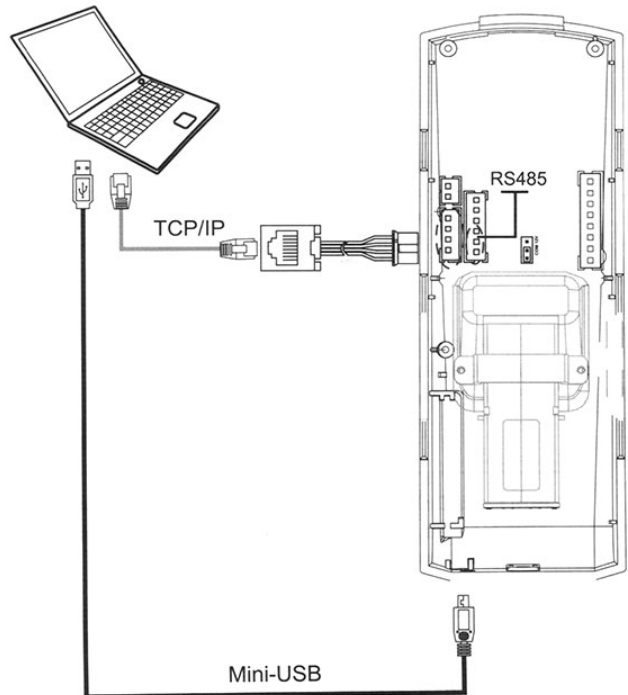
Access Control Reader & Switch Power Supply



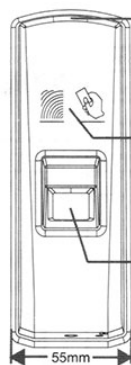
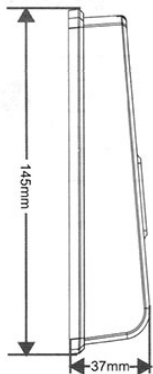
Access Control Reader & Controller



Communicate with PC



Reader Appearance



LED

There are three colours for device status: Red, Blue and Green.

Card Reader Area

Swipe the card here.

Fingerprint Sensor

Place the finger here.

Underneath:

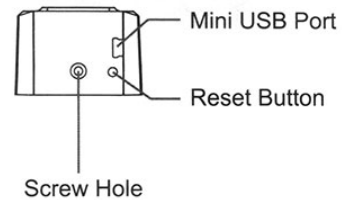
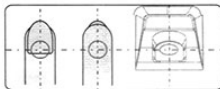
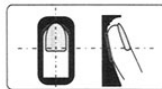


Illustration for placing finger

- **Correct method** (Straighten your finger and then place it on the sensor ensuring the finger is down flat and covers the entire sensor window) :



Always place finger in the center of the sensor.



Make sure you cover the entire sensor surface with as much of your finger as possible.

- **Incorrect method :**



DO NOT move your finger before the backlights of sensor turns off.



DO NOT place finger away from the center of the sensor window.



DO NOT place finger at an angle.



DO NOT take off finger during the fingerprint verification process.



DO NOT use just your fingertip.



DO NOT slide your finger during the fingerprint verification process.

Operation Guide

- **Power On:**

DC 12V supply the power for device. Blue LED flashes fast and Fingerprint Sensor lights with beeps. There are 4 cards in the packing: Enroll Card  Delete Card  User Card  * 2

- **Registration User:**

- **Add Fingerprint Only: (Operation Steps show as figure 1.1)**

After registered you can continue register another user or swipe Enroll Card save and exit.

Notice: When place finger, Red LED flashes with two long beeps means the finger have been registered.

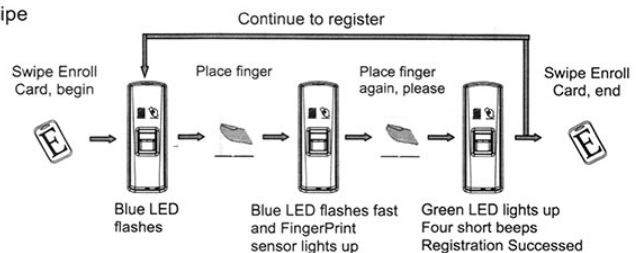


Figure 1.1

- **Add Card Only: (Operation Steps show as figure 1.2)**

After registered you can continue register another user or swipe Enroll Card save and exit.

Notice: When swipe card, Red LED flashes twice with two long beeps means the User Card have been registered.

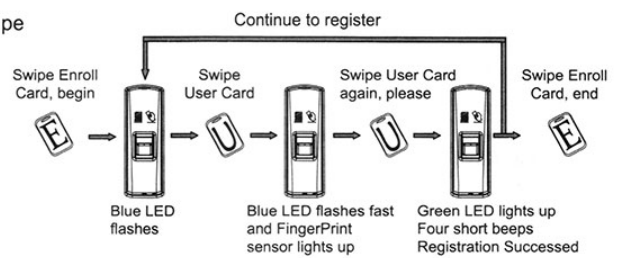


Figure 1.2

• **Add Card+Fingerprint: (Operation Steps show as figure 1.3)**

After registered you can continue register another user or swipe enroll card save and exit.

Notice: When swipe card, Red LED flashes twice with two long beeps means the User Card have been registered.

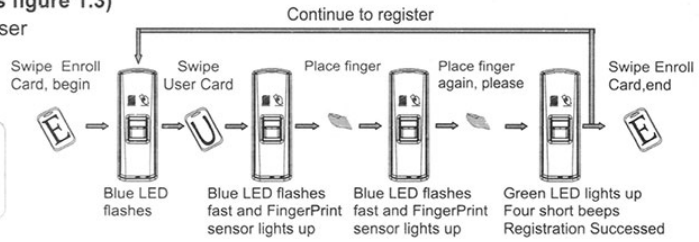


Figure 1.3

▪ **Delete User:**

• **Delete fingerprint only: (Operation Steps show as figure 1.4)**

After delete you can continue delete another user or swipe Delete Card save and exit.

Notice: When place finger, Red LED flashes with long beep means the fingerprint does not exist in the device.

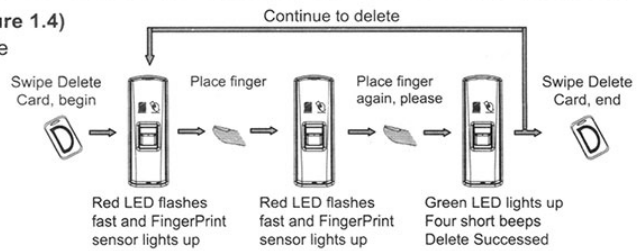


Figure 1.4

• **Delete Card / Card+Fingerprint: (Operation Steps show as figure 1.5)**

After delete you can continue delete another user or swipe Delete Card save and exit.

Notice: When swipe card, Red LED flashes with long beep means the fingerprint does not exist in the device.

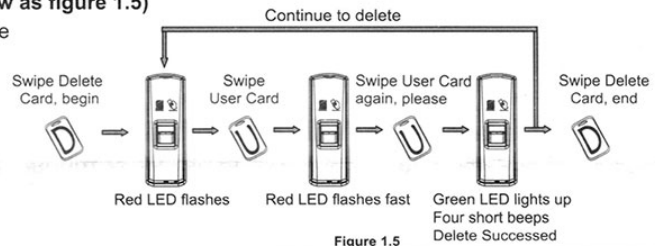
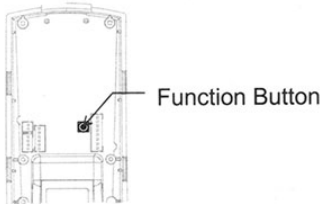


Figure 1.5

■ **Function button**

▪ **Function Button**

Press the button until heard beeps, that eliminate Enroll Card and Delete Card information in the device. After that **MUST** register management cards (Enroll Card and Delete Card) to run the machine.



Notice: The operation will not delete any user data stored in the device.

▪ **Register Management Cards (Enroll Card and Delete Card)**

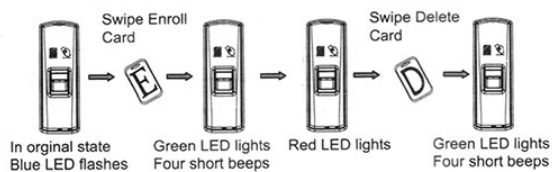


Figure 1.6



www.mooving.eu/controllo-accessi